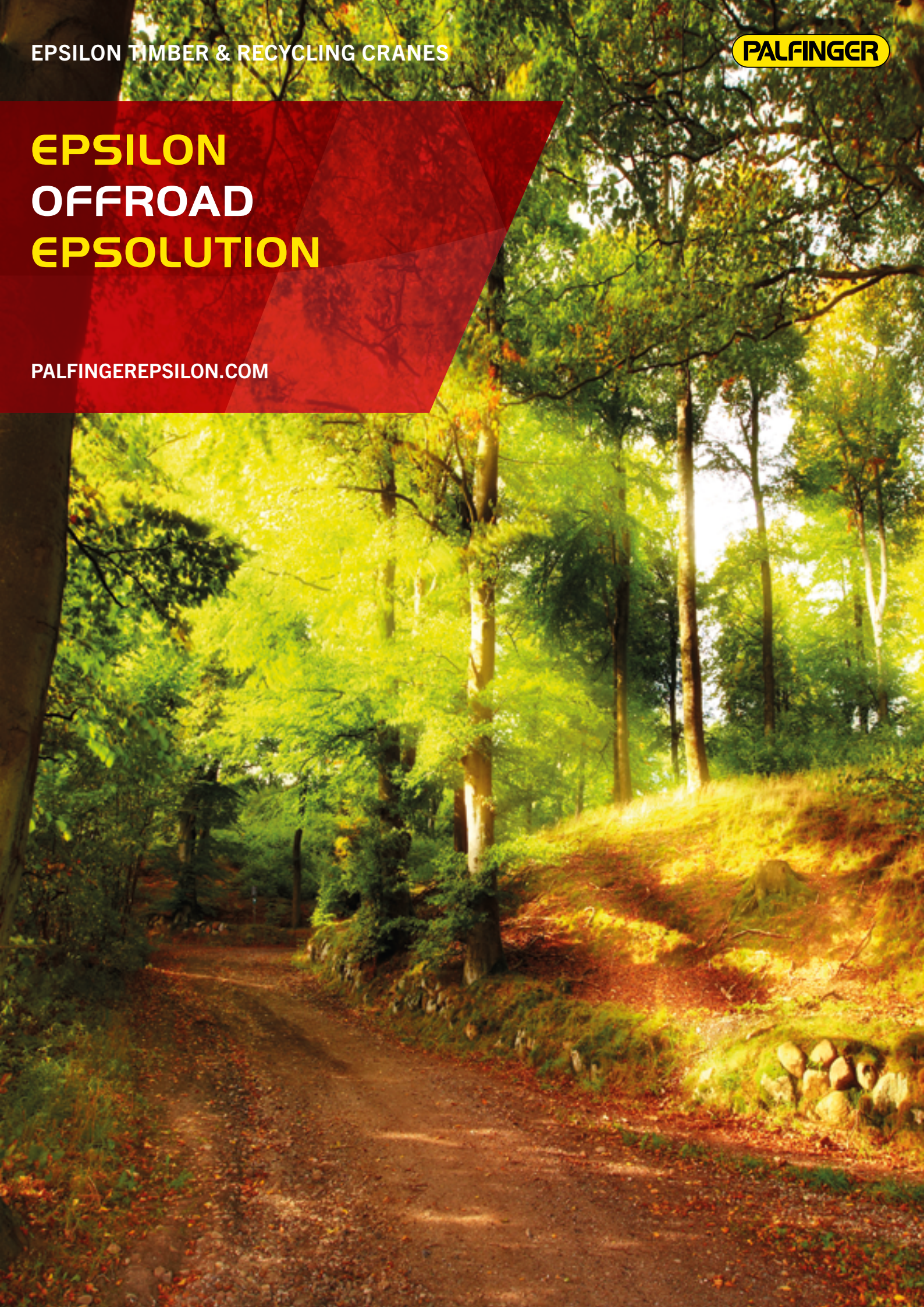


EPSILON TIMBER & RECYCLING CRANES

PALFINGER

EPSILON OFFROAD EPSOLUTION

PALFINGEREPSILON.COM





YOUR PARTNER FOR THE FUTURE

Each and every PALFINGER EPSILON product is far more than just the sum of its parts. Throughout the entire company we adhere to the very latest standards in sustainable, innovative, bespoke solutions.

We consider customer satisfaction to be of the utmost importance; so you can rely on PALFINGER EPSILON to deliver long-lasting, low-maintenance products and services with our resources.

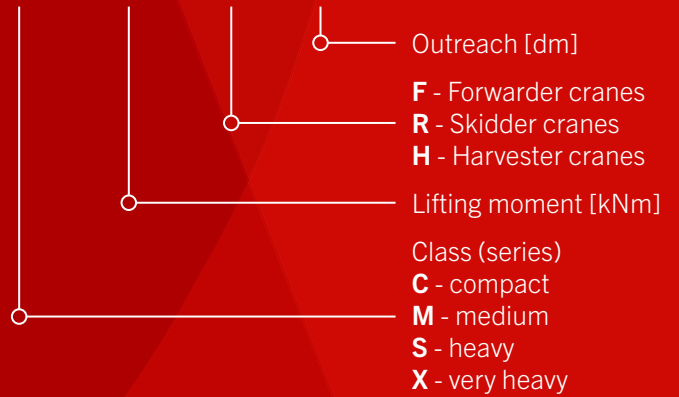
We are constantly working on the development of solutions to offer long-term viability. We give our staff at the development centre plenty of encouragement and support. At the company headquarters taking place to guarantee we have the necessary capacity to serve customers in the years to come. Working in cooperation with our partners we develop innovative, custom-built products that deliver the best possible solutions for your needs.

PALFINGER EPSILON.



TYPE DESIGNATION

S 110 F 86



PRODUCT OVERVIEW

Forwarder cranes

C45F	4
C50F, C60F	5
M70F, M80F, S100F, S110F	6
X120F, X140F	7

Skidder cranes

M70R, M80R, M90R, S110R, S120R	8 / 9
X130R, X150R	10

Harvester cranes

M160H	11
-------	----

Equipment	12 - 14
Grabs	14

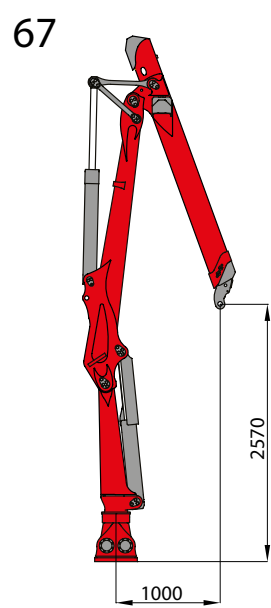
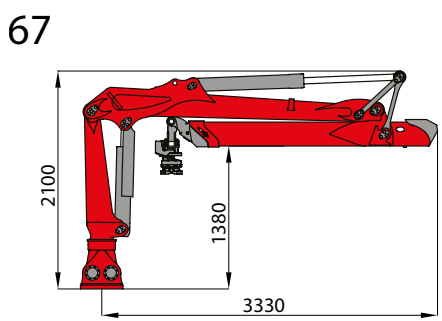
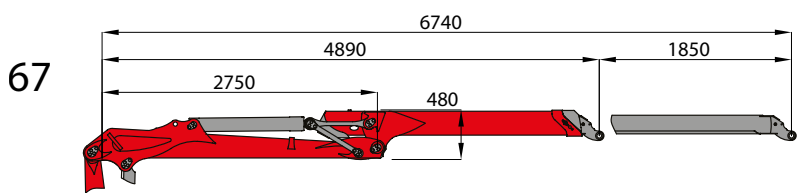
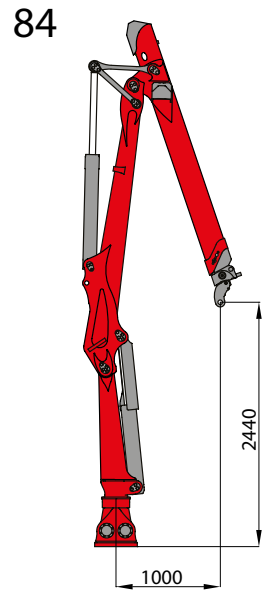
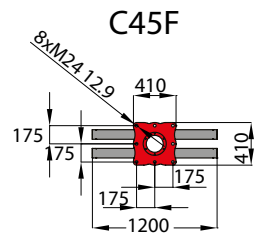
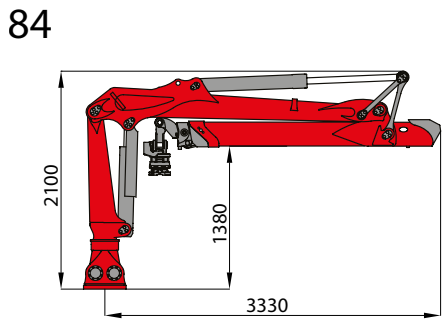
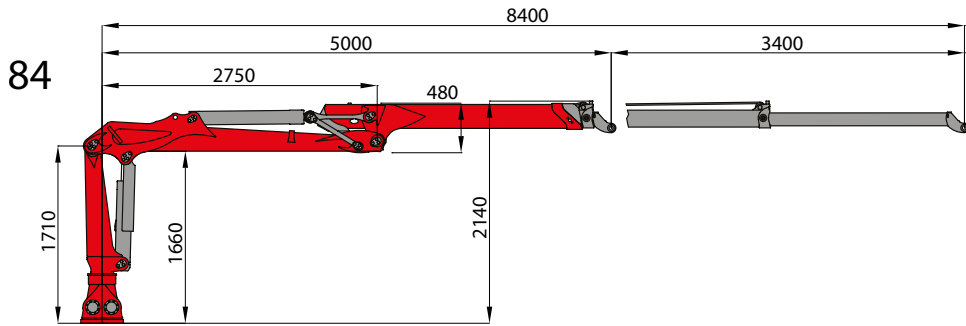
URE


standards, and on behalf of our customers we strive unceasingly to provide


products that are economical to run in terms of costs and the consumption of

ment and set them plenty of challenges; and today's reconstruction work on
 on with our partners we continue to do everything within our power to provide

FORWARDER CRANES C-CLASS



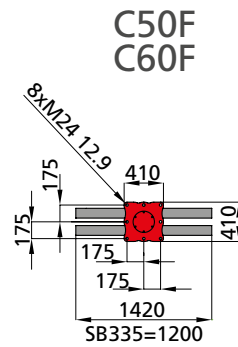
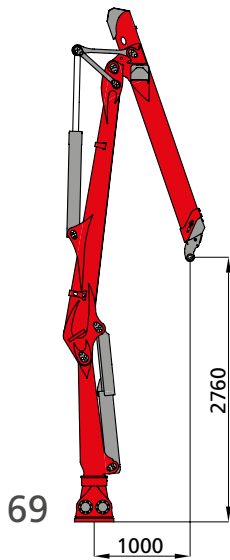
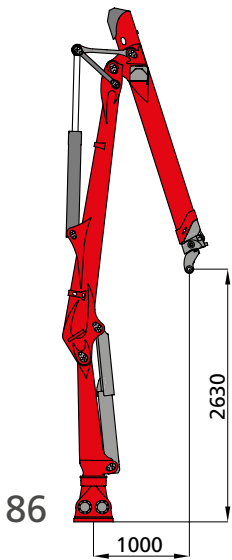
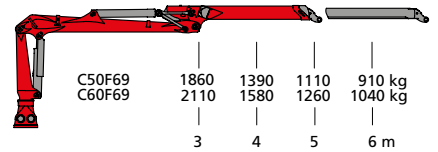
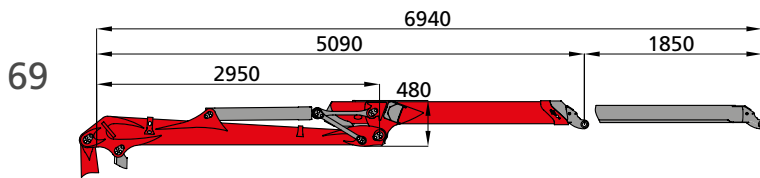
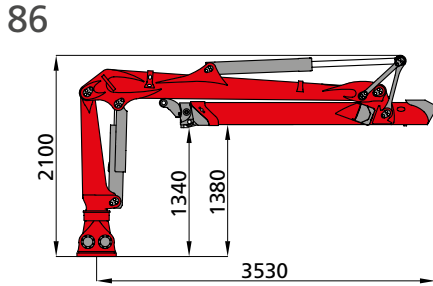
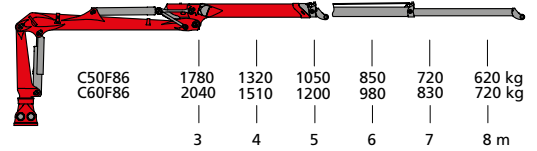
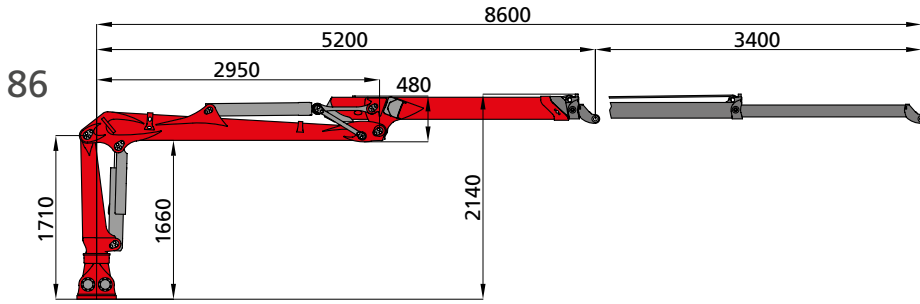
	C45F84	1690	1250	980	800	670	580 kg
		3	4	5	6	7	8

	C45F67	1760	1310	1040	850 kg
		3	4	5	6

	C45F	
	67	84
lifting moment	[kNm]	71
lifting moment net	[kNm]	53 51
max. outreach	[m]	6,7 8,4
slewing torque	[kNm]	18
slewing torque net	[kNm]	14
slewing angle	[°]	340
dead weight without link / rotator	[kg]	1020 1100
operating pressure	[bar]	170
recommended pump capacity	[l/min]	100 LS
rotator (EPSILON)		RB06F

*Weight of standard crane, incl. oil, spot lights and cylinder protection, without link and rotator; material tolerance +/- 5%; lifted weight, net without accessories
Designed for intermediate operation, max. 4 hours / day or 800 hours / year*

FORWARDER CRANES C-CLASS



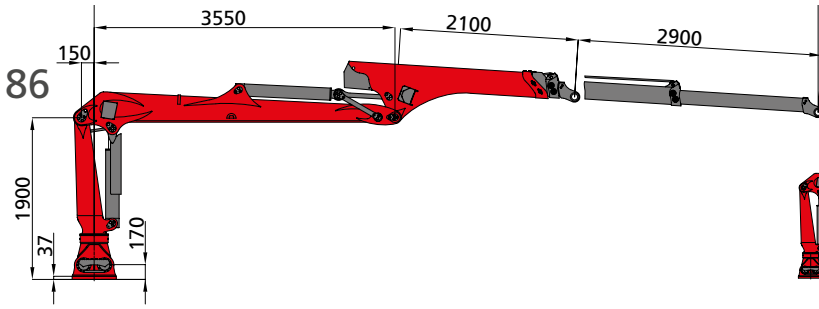
lifting moment
lifting moment net
max. outreach
slewing torque
slewing torque net
slewing angle
dead weight without link / rotator
operating pressure
recommended pump capacity
rotator (EPSILON)

	C50F		C60F	
	69	86	69	86
lifting moment	76		82	
lifting moment net	56	54	63	61
max. outreach	6,9	8,6	6,9	8,6
slewing torque	23		25	
slewing torque net	18		20	
slewing angle	425		425	
dead weight without link / rotator	1060	1140	1090	1170
operating pressure	180		200	
recommended pump capacity	120 LS		120 LS	
rotator (EPSILON)	RB06F		RB06F	

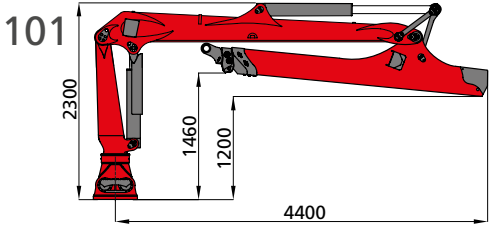
Weight of standard crane, incl. oil, spot lights and cylinder protection, without link and rotator;
material tolerance +/- 5%; lifted weight, net without accessories

FORWARDER CRANES

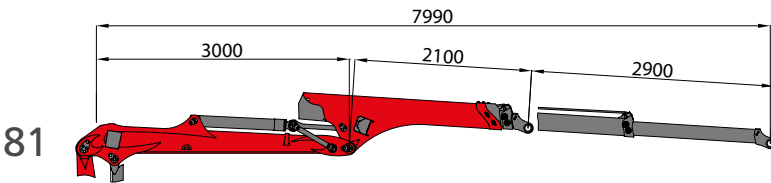
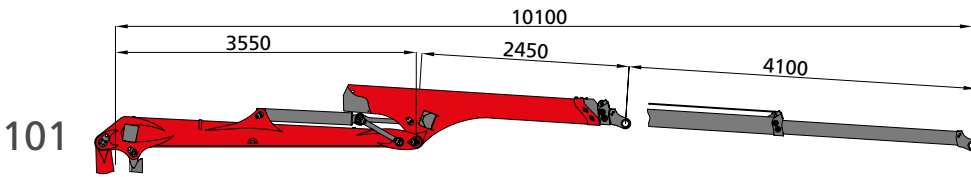
M-CLASS / S-CLASS



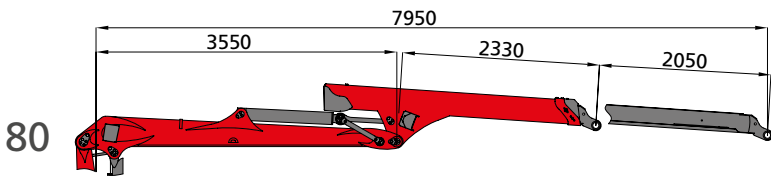
M70F86	2280	1700	1350	1100	930	800 kg
M80F86	2620	1960	1550	1280	1080	930 kg
S100F86	3010	2250	1780	1480	1250	1080 kg
S110F86	3470	2590	2060	1700	1440	1200 kg
	3	4	5	6	7	8 m



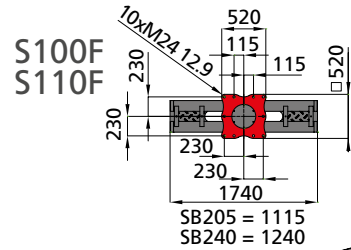
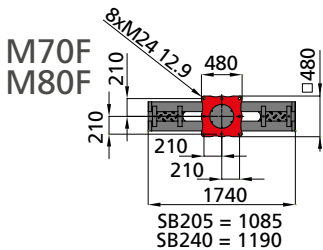
M70F101	2160	1610	1280	1070	890	760	660	540 kg
M80F101	2510	1880	1500	1240	1040	890	780	660 kg
S100F101	2860	2140	1710	1420	1190	1030	900	770 kg
S110F101	3330	2490	1980	1640	1380	1190	1030	900 kg
	3	4	5	6	7	8	9	10 m



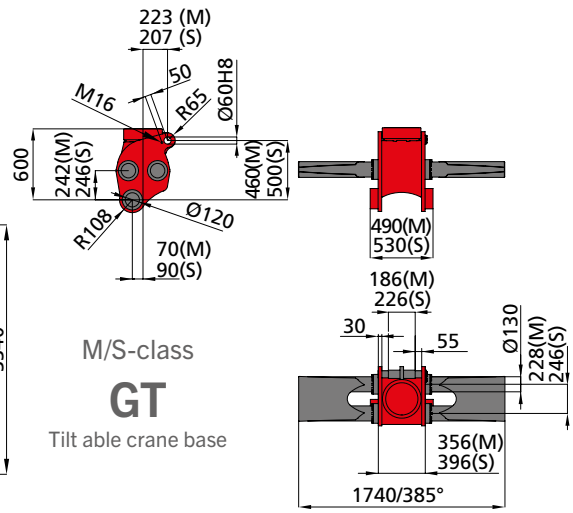
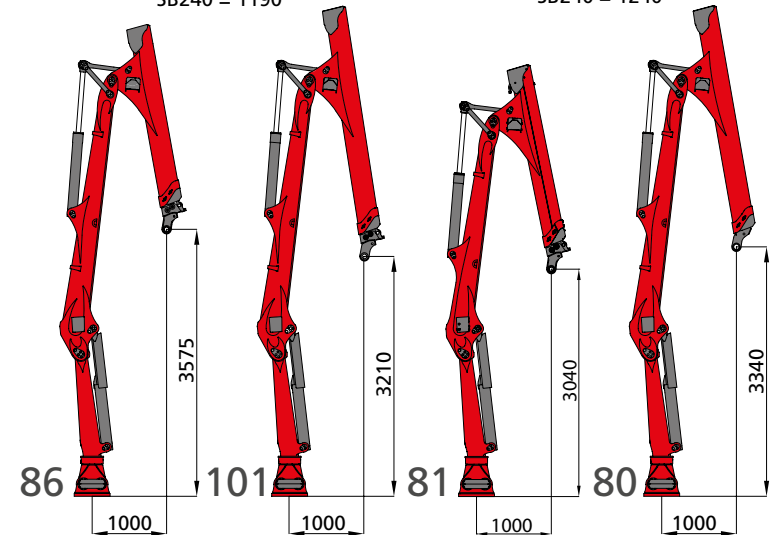
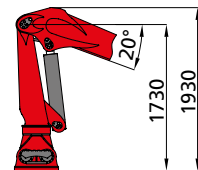
M70F81	2380	1770	1400	1150	980 kg
M80F81	2730	2040	1620	1330	1130 kg
	3	4	5	6	7 m



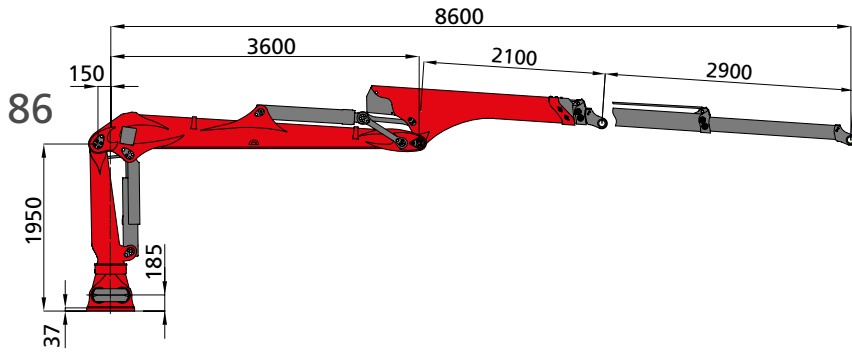
M70F80	2270	1690	1340	1120	950 kg
M80F80	2620	1960	1560	1300	1100 kg
S100F80	3020	2260	1810	1510	1280 kg
S110F80	3460	2600	2080	1740	1480 kg
	3	4	5	6	7 m



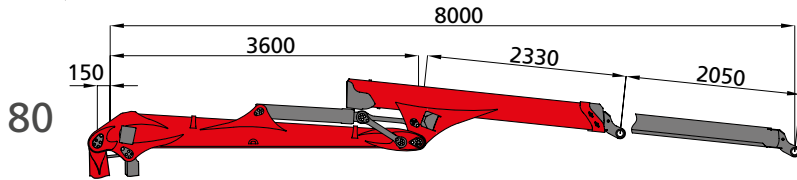
N
short column



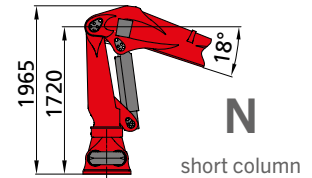
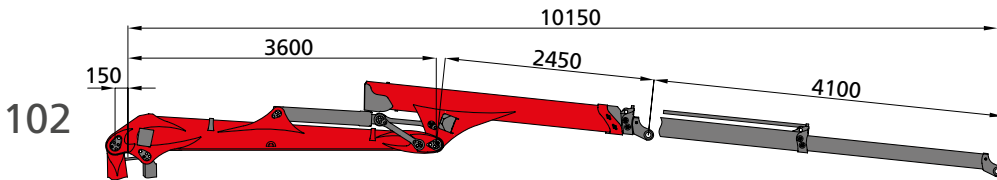
FORWARDER CRANES X-CLASS



X120F86	3650	2730	2170	1790	1520	1320 kg
X140F86	4060	3040	2420	2000	1700	1480 kg
	3	4	5	6	7	8m

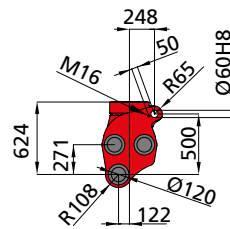
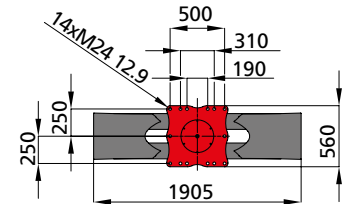


X120F80	3700	2770	2210	1840	1570	1360 kg
X140F80	4110	3090	2470	2050	1750	1520 kg
	3	4	5	6	7	8m



X120F102	3550	2650	2100	1740	1460	1260	1110	980 kg
X140F102	3950	2960	2350	1940	1640	1420	1250	1100 kg
	3	4	5	6	7	8	9	10m

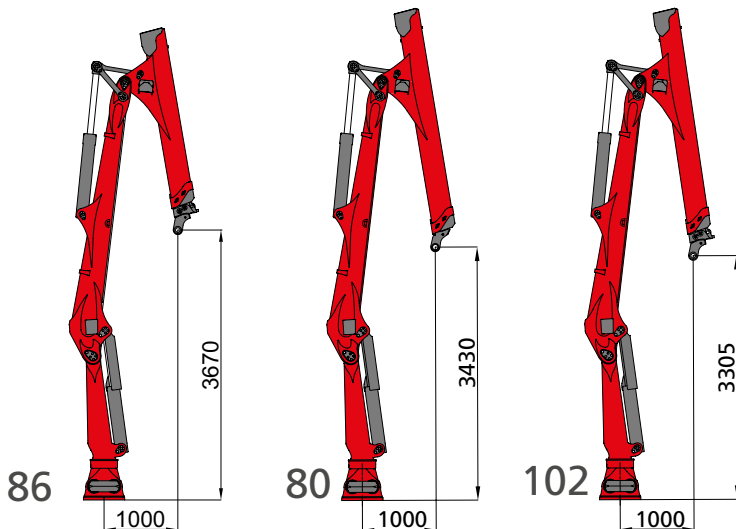
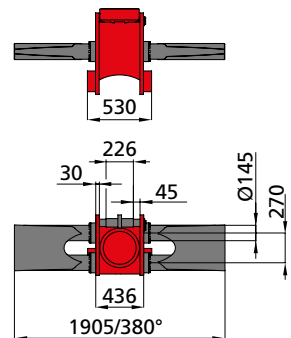
X120F
X140F



X-class

GT

Tilt able crane base

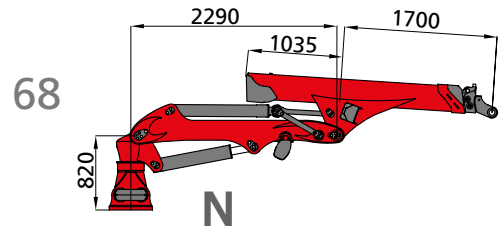
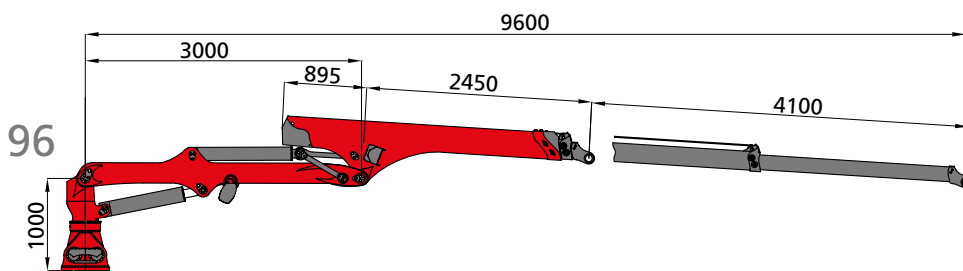
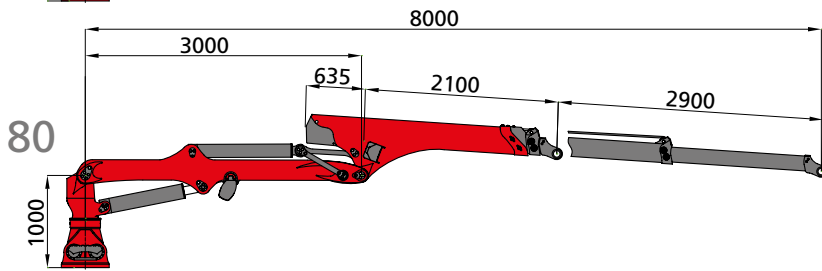
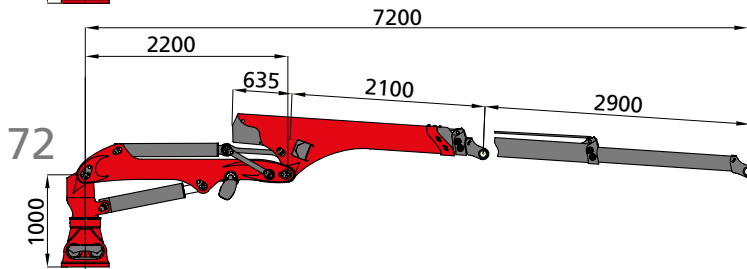
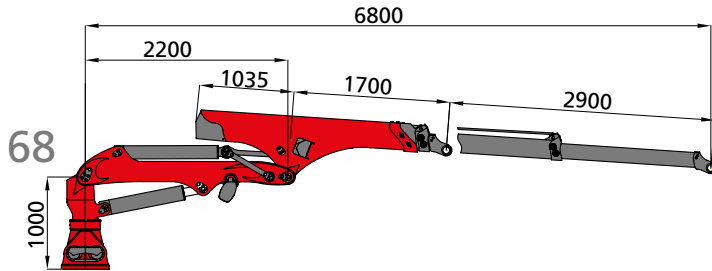
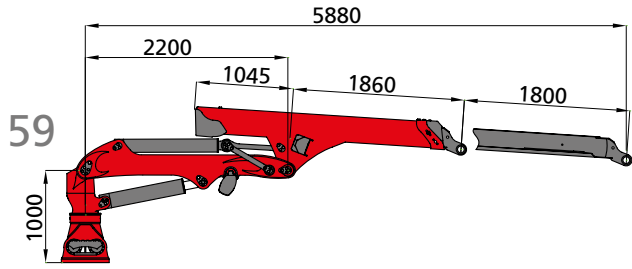


	M70F				M80F				S100F			S110F			X120F			X140F		
	80	81	86	101	80	81	86	101	80	86	101	80	86	101	80	86	102	80	86	102
lifting moment	102				114				128			143			159			173		
lifting moment net	68	71	68	65	79	82	79	75	91	90	86	104	104	100	111	110	107	123	122	119
max. outreach	8,0	8,0	8,6	10,1	8,0	8,0	8,6	10,1	8,0	8,6	10,1	8,0	8,6	10,1	8,0	8,6	10,2	8,0	8,6	10,2
slewing torque	31				35				40			44			45			49		
slewing torque net	26				29				33			36			40			43		
slewing angle	385								385						380					
dead weight without link / rotator	1590	1590	1650	1730	1620	1620	1680	1760	1750	1800	1890	1780	1830	1920	2090	2140	2220	2120	2170	2250
operating pressure	215				240				215			240			230			250		
recommended pump capacity	130 LS								150 LS						150 LS					
rotator (Indexator)	G121								G141						G141					

Weight of standard crane, incl. oil, spot lights and cylinder protection, without link and rotator; material tolerance +/- 5%; lifted weight, net without accessories

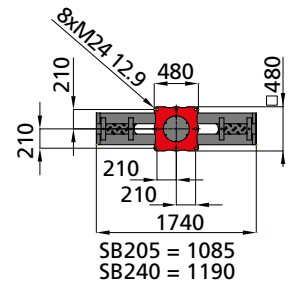
SKIDDER CRANES

M-CLASS / S-CLASS

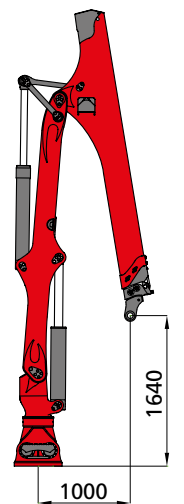
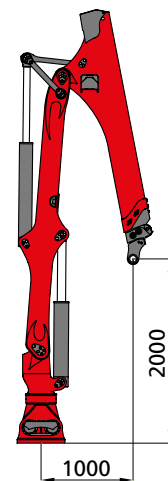
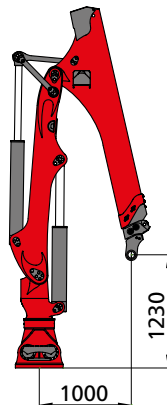
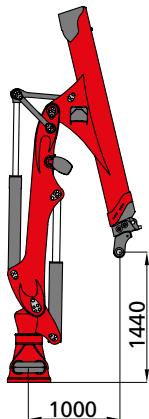
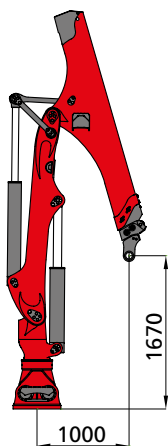
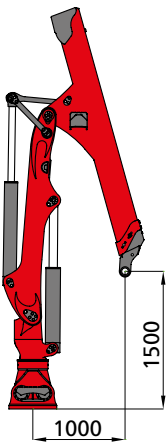
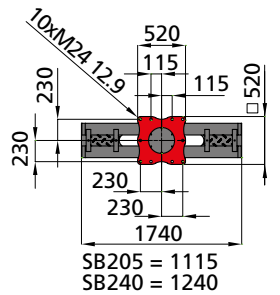


short column
(only for M70R68)

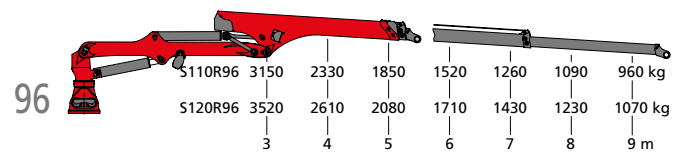
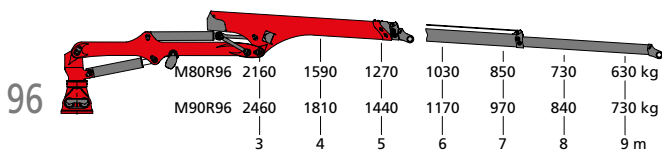
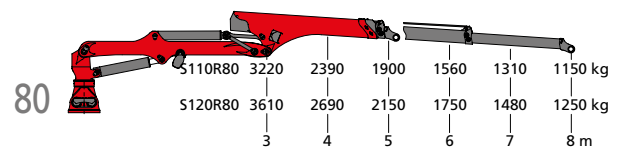
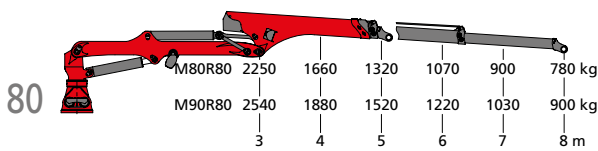
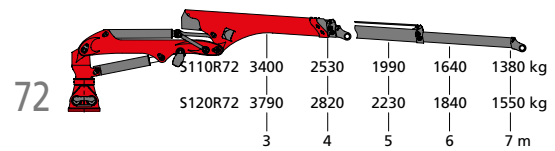
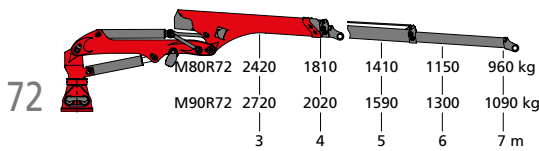
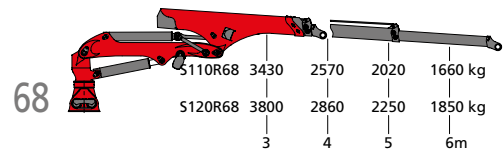
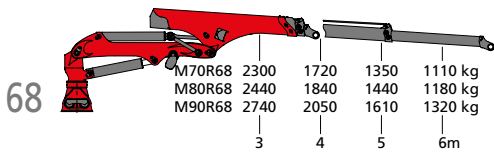
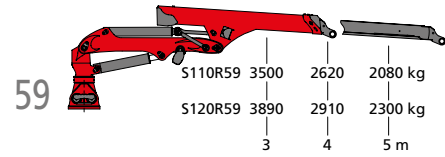
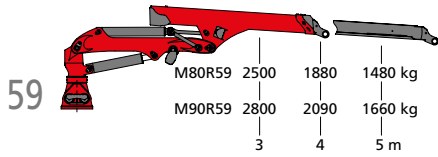
M70R
M80R
M90R



S110R
S120R



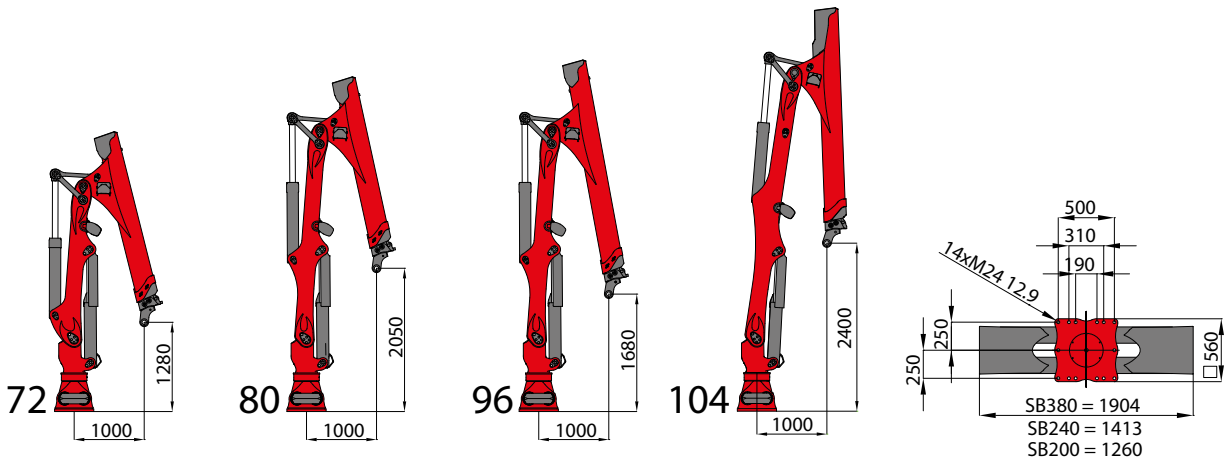
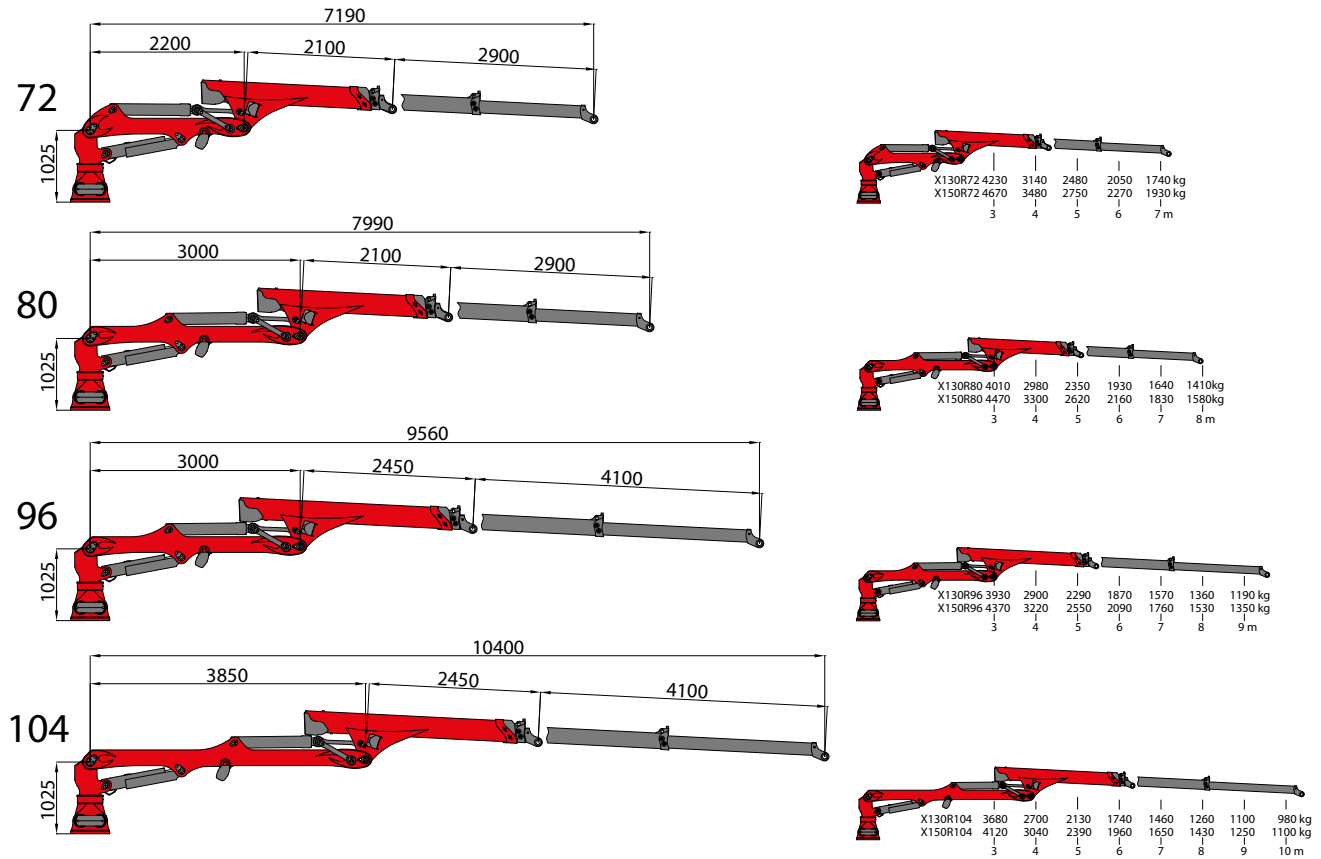
SKIDDER CRANES M-CLASS / S-CLASS



	M70R		M80R				M90R				S110R					S120R						
	68	59	68	72	80	96	59	68	72	80	96	59	68	72	80	96	59	68	72	80	96	
lifting moment	[kNm]		95				104				126					139						
lifting moment net	69	75	73	73	68	65	84	82	82	76	74	105	103	102	97	95	117	114	114	108	106	
max. outreach	[m]		7,2				7,2				7,2					7,2						
slewing torque	[kNm]		31				35				40					44						
slewing torque net	[kNm]		26				29				33					36						
slewing angle	[°]																					
dead weight without link / rotator	[kg]																					
operating pressure	[bar]																					
recommended pump capacity	[l/min]																					
rotator (Indexator)																						

Weight of standard crane, incl. oil, spot lights and cylinder protection, without link and rotator; material tolerance +/- 5%; lifted weight, net without accessories

SKIDDER CRANES X-CLASS

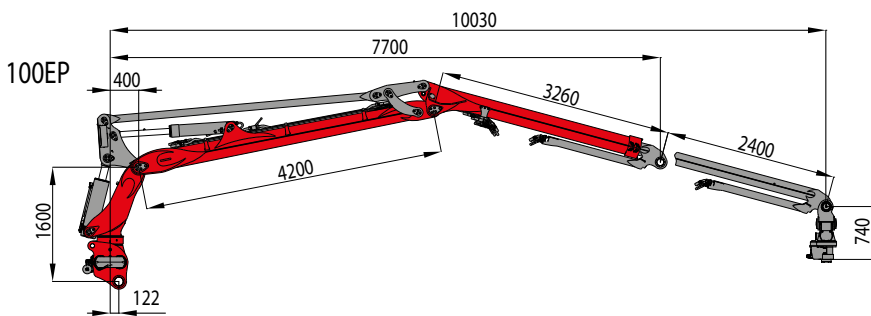
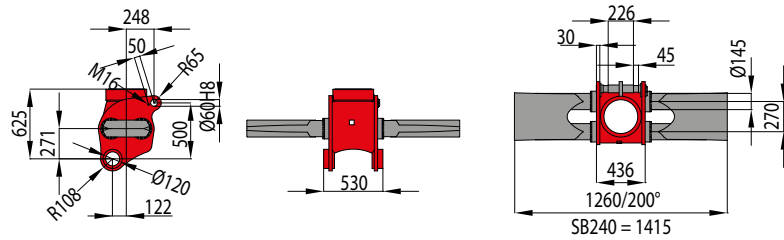
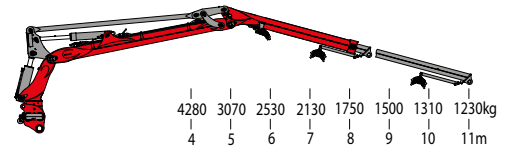
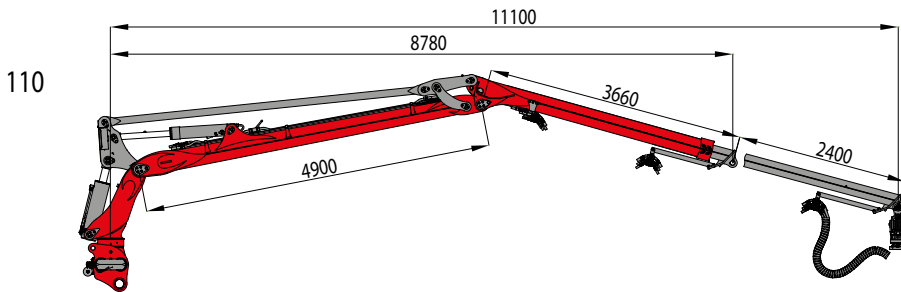
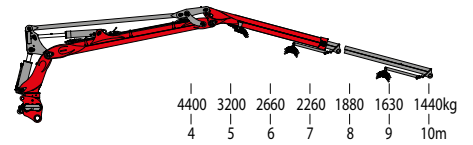
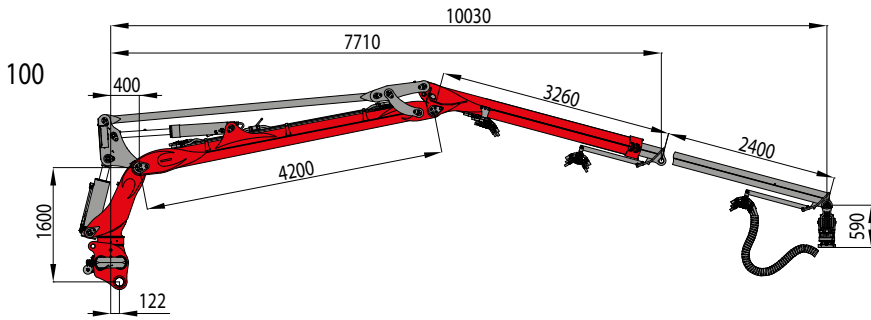


lifting moment
lifting moment net
max. outreach
slewing torque
slewing torque net
slewing angle
dead weight without link / rotator
operating pressure
recommended pump capacity
rotator (Indexator)

	X130R				X150R			
	72	80	96	104	72	80	96	104
lifting moment	156				170			
lifting moment net	127	120	118	110	140	134	131	124
max. outreach	7,2	8,0	9,6	10,4	7,2	8,0	9,6	10,4
slewing torque	57				62			
slewing torque net	47				52			
slewing angle	380							
dead weight without link / rotator	1940	2020	2110	2180	1970	2050	2140	2210
operating pressure	220				240			
recommended pump capacity	150 LS							
rotator (Indexator)	G141							

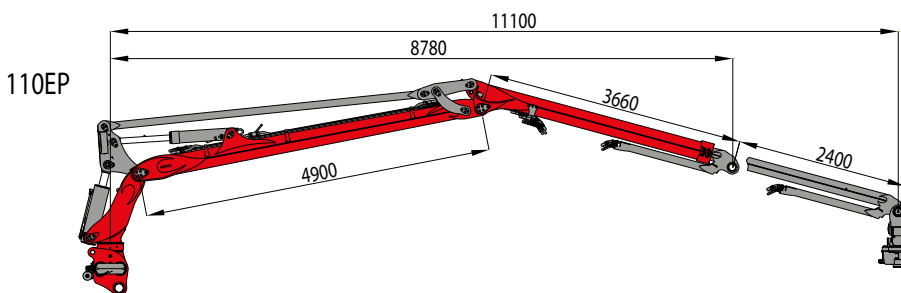
Weight of standard crane, incl. oil, spot lights and cylinder protection, without link and rotator; material tolerance +/- 5%; lifted weight, net without accessories

HARVESTER



E+P

Endless and Protected



- lifting moment
- lifting moment net
- max. outreach
- slewing torque
- slewing torque net
- slewing angle
- dead weight without link / rotator
- operating pressure
- recommended pump capacity

	M160H			
	100	111	100 EP	111 EP
[kNm]	200			
[kNm]	160	154	160	154
[m]	10,0			
[kNm]	56			
[kNm]	45			
[°]	200			
[kg]	2560	2660	2580	2680
[bar]	250			
[l/min]	200 LS			

Weight of standard crane, incl. oil, spot lights and cylinder protection, without link and rotator; material tolerance +/- 5%; lifted weight, net without accessories

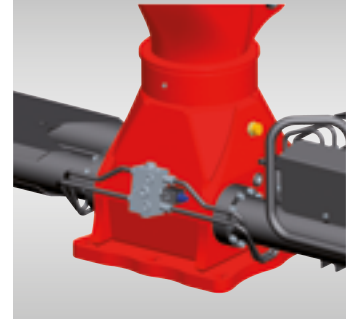
	Forwarder cranes				Skidder cranes			Harvester M160H	Page
	C45F C50F C60F	M70F M80F	S100F S110F	X120F X140F	M70R M80R M90R	S110R S120R	X130R X150R		
Standard equipment									
Double rack slewing system with end stroke suppression, o.l.p. valve and 385° slewing angle (380° X-class)	-	■	■	■	■	■	■	-	
Double rack slewing system with end stroke suppression (C45F without) , 425° slewing angle (340° C45F)	■	-	-	-	-	-	-	-	
Double rack slewing system with end stroke suppression, 200° slewing angle	-	-	-	-	-	-	-	■	
Dead point above over load protection valve	-	■	■	■	■	■	■	-	
Biological oil LUKOIL GEYSER BIO S 46	■	■	■	■	■	■	■	■	
Coating RAL 3020	■	■	■	■	■	■	■	■	
Central greasing unit mounted on base, linkage main boom, linkage outer boom	-	-	-	-	-	-	-	■	
Hydraulic damper units mounted for slewing and main boom	-	-	-	-	-	-	-	■	
Position monitoring mounted at main- and outer boom cylinder	-	-	-	-	-	-	-	■	
Shut-off valve for pressure-pump and return-flow-aggregate	-	-	-	-	-	-	-	■	
Main boom with solid main boom strap below - no additional protection necessary	-	■	■	■	-	-	-	-	
Main cylinder protection guard	■	■	■	■	■	■	■	-	
EPSCOPE double telescopic boom system, all parts protected and mounted inside	■	■	■	■	■	■	■	-	2
EPSLINK Epsilon knuckle set with inlaid protected hoses and hose set between telescopic boom - rotator	■	■	■	■	■	■	■	-	2
EPSSLIGHT spot lights, mounted and completely wired, consisting of:									2
• 2 LED work lights (each 1000 lumen) mounted on main boom, work lights follow the working area	-	■	■	■	-	-	-	-	
• 2 LED work lights (each 1000 lumen) on outer boom	■	■	■	■	■	■	■	-	
• 4 LED spot lights (each 3000 lumen) on linkage main boom, incl. protection cover	-	-	-	-	-	-	-	■	
Rotator Indexator G141, incl. protection cover for hoses	-	-	■	■	■	■	■	-	
Rotator Indexator G121, incl. protection cover for hoses	-	■	-	-	■	-	-	-	
Rotator PSILON RB06F 6t, incl. protection cover for hoses	■	-	-	-	-	-	-	-	
Rotator Indexator H132	-	-	-	-	-	-	-	■	
Indexator MPB-swing damper	-	■	■	■	■	■	■	-	
Indexator MPB 2-2 double-swing damper	-	-	-	-	-	-	-	■	
24V 24 Volt execution	■	■	■	■	■	■	■	■	
Special equipment									
KM fixed heel	-	□	□	□	□	□	□	-	13
LED2 2 x LED spot lights (each 3000 lumen) on outer boom	□	-	-	-	□	□	□	-	13
LED4 4 x LED spot lights (each 3000 lumen), 2 x on main boom and 2 x on outer boom	-	□	□	□	-	-	-	-	13
RAL special colour RAL	□	□	□	□	□	□	□	□	
SLP substitute hose set (4xtelescopic boom, 4xlink-rotator)	□	□	□	□	□	□	□	-	
STV valve for floating position (not in combination with DM9F or DM10F)	-	□	□	□	□	□	□	-	13
SPC slewing position control	-	□	□	□	-	-	-	■	13
MO mineral oil LUKOIL GEYSER ST32	□	□	□	□	□	□	□	□	
12V 12 Volt execution	□	□	□	□	□	□	□	-	
EP E+P System : consisting of endless rotating function at crane nose tip with protected hose channel and electric wiring (CANBUS) and EPSILON double swing damper. Incl. hose package	-	-	-	-	-	-	-	□	11
Crane column & slewing system									
N short crane column for forwarder cranes (not available in combination with GIRX39 and S-class)	-	□	□	□	-	-	-	-	6/7
N short crane column for M70R skidder crane	-	-	-	-	□	-	-	-	8
SB205 slewing angle 205° (200° X-class)	-	□	□	-	□	□	□	-	6/8/10
SB240 slewing angle 240°	-	□	□	□	□	□	□	□	6/8/10
SB335 slewing angle 335°	□	-	-	-	-	-	-	-	5
HND lifting cylinder low pressure (max. 200 bar) for M70F	-	□	-	-	-	-	-	-	
Crane base & stabilization									
GT tiltable base incl. 2x tilt cylinders and bolts for cylinder-crane base	-	□	□	□	-	-	-	-	6/7/13
GIRX41 integrated stabilizer "RX41" with base and slewing system out of C series "Epsolution" not available for C45F	□	-	-	-	-	-	-	-	13
GIRX39 integrated stabilizer "RX39" with base and slewing system out of M series "Epsolution"	-	□	-	-	-	-	-	-	13
GIRX39 integrated stabilizer "RX39" with base and slewing system out of Q series "Epsolution"	-	-	□	-	-	-	-	-	13
TVP 170mm longer stabilizer with pendulum plates for GIRX39, GIRX41 and SRX39	□	□	□	-	-	-	-	-	
TOG dead point opposite to over load protection valve (standard with GIRX)	-	□	□	□	□	□	□	-	
TOU dead point above stabilizer beam (at GIRX)	□	□	□	-	-	-	-	-	
SFD38 flap down stabilizers with 4280mm stabilizer width (loose)	□	□	-	-	-	-	-	-	13
Control									
PROF1 Prof1 Joysticks Danfoss (version 162F1128 and 162F1112, wired)	□	□	□	-	-	-	-	-	14
DM8H Danfoss PVG32 load sensing, pressure set, 8 functions, without control	□	-	-	-	-	-	-	-	14
DM9F Danfoss PVG32 load sensing, pressure set, 9 functions, without control	□	□	□	-	-	-	-	-	14
DM10F Danfoss PVG32 load sensing, pressure set, 10 functions, without control	□	□	□	-	-	-	-	-	14
HS top seat mounted without control	□	-	-	-	-	-	-	-	14
Swing damper, Rotator, Link									
BK118 MPB 100 swing damper, G121 rotator, reinforced knuckle set	□	-	-	-	-	-	-	-	13
BK120 G121 rotator, reinforced knuckle set	□	-	-	-	-	-	-	-	
Mounting bolts									
BK005 mounting bolts 8 pc M24x1000 for GIRX41/SFD38/SRX39	□	□	-	-	-	-	-	-	
BK013 mounting bolts 8 pc M30x1200 for GIRX39	-	□	□	-	-	-	-	-	
BK040 mounting bolts 8 pc M24x100 12.9	-	□	-	-	□	-	-	-	
BK041 mounting bolts 10 pc M24x100 12.9	-	-	□	-	-	□	-	-	
BK117 set of bolts 1pc ø120, 2pcs ø60 for tilt base GT, without locking nuts	-	□	□	□	-	-	-	-	
Grabs									
FG27 timber grab 0,26m²	□	□	-	-	-	-	-	-	14
FG37 timber grab 0,36m²	□	□	□	-	□	-	-	-	14
FG43S timber grab 0,4m²	-	-	□	□	□	□	□	-	14
FG57X timber grab 0,5m²	-	-	□	□	-	□	□	-	14
FG31B logging grapple & refining grab 0,36m²	□	□	□	□	-	-	-	-	14



KM fixed heel

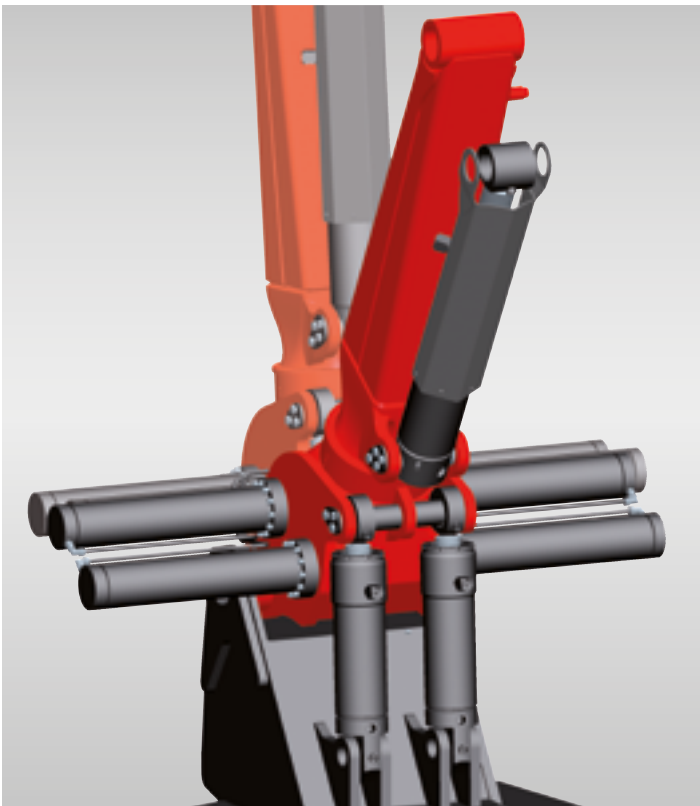


LED spot lights



STV valve for floating position

Tilt able crane base



GT tilt able crane base

GIRX39 / GIRX41



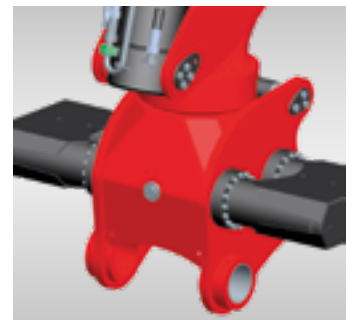
- GIRX39** integrated stabilizer beam 3,9m
M30, property class 12.9, 42 Cr Mo 4v, locking torque 900 Nm
- GIRX41** integrated stabilizer beam 4,1m
M24, property class 12.9, 42 Cr Mo 4v, locking torque 450 Nm



SFD38 flap down stabilizer loose
M24, property class 12.9, 42
Cr Mo 4v, locking torque 450 Nm



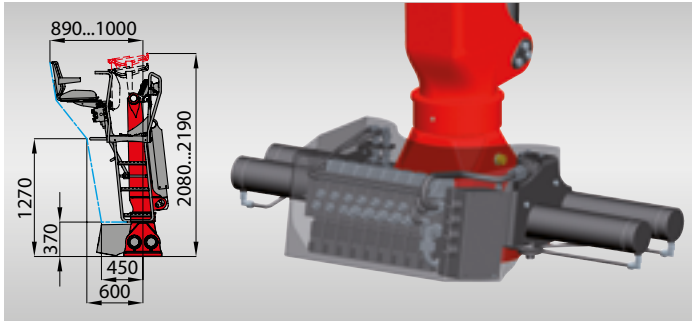
BK118 MPB 100 swing damper,
G121 rotator, 4-eye knuckle set



SPC slewing position control

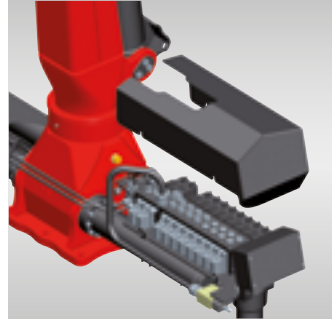
EQUIPMENT

DM8H

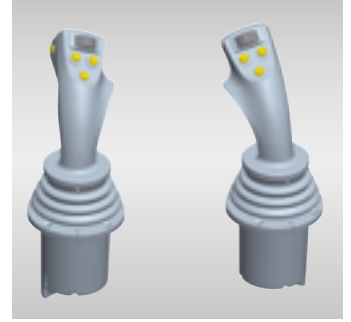


- DM8H** control valve Danfoss mounted behind crane base
- HS** top seat mounted without control

Control version

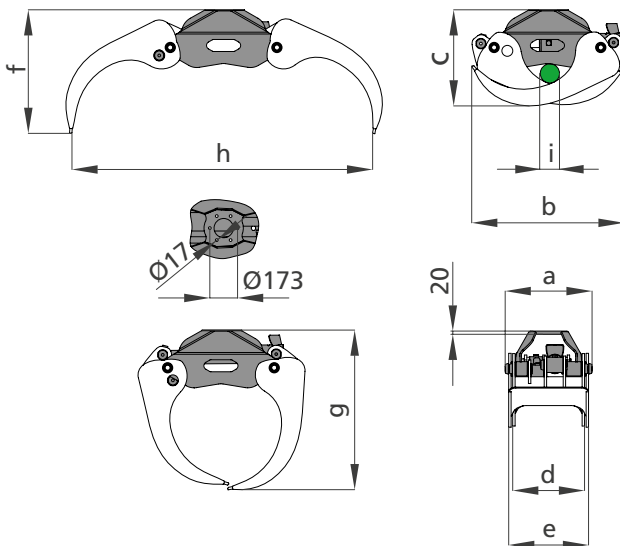


- DM9F / DM10F** control valve Danfoss mounted on slewing cylinders



- PROF1** 2pcs Danfoss joysticks incl. 10m cable. Compatible with **DM8H / DM9F / DM10F**

GRABS FOR FORWARDER AND SKIDDER CRANES



		FG27	FG37	FG43S	FG57X	FG31R
gripping area	[m ²]	0,26	0,36	0,4	0,5	0,36
load capacity	[kg]	4000	4000	6000	9000	4000
max. operat. pressure	[MPa]	25	25	24	27	25
gripping force	[kN]	14,1	13,1	19,7	23,3	14,1
weight	[kg]	170	180	260	320	200
a	[mm]	470	470	540	540	470
b	[mm]	820	930	950	1160	895
c	[mm]	540	570	600	690	575
d	[mm]	390	390	460	460	390
e	[mm]	440	440	520	520	470
f	[mm]	760	800	770	980	765
g	[mm]	860	920	1000	1150	910
h	[mm]	1480	1570	1880	2030	1580
i	[mm]	100	100	120	130	105

WE MAKE YOUR WORK MORE EFFICIENT. GUARANTEED

PALFINGER EPSILON EXTENDS ITS WARRANTY FROM 2 TO **3 YEARS**

The new warranty provides a handful of benefits

Not only do we promise our customers excellent, long-lasting, high quality machines; we also abide expeditiously by this promise. PALFINGER EPSILON extends its warranty for all products – irrespective of segment – from two to three years.



EPSILON KRAN GMBH
Christophorusstraße 30
5061 Elsbethen-Glasenbach | Austria

Tel +43 662 629548-0
epsilon@palfinger.com

PR046 is meant for international use. The availability of some models and the model and special equipment may vary from country to country. EPSILON reserves the right to change design or technical specification at any time without prior notice. Any changes would not be applied retrospectively to previously sold units. Information, description and illustrations are correct at time of going to print, but may also be changed without prior notice. Illustrations may show certain country specific executions and special equipment, and therefore may not be complete standard execution. Measure data without obligation. Lifting capacity presentations are standard illustrations and don't correspond the optimize boom position, where the maximum lifting capacity can be reached.